

4

3

2

1

D

D

C

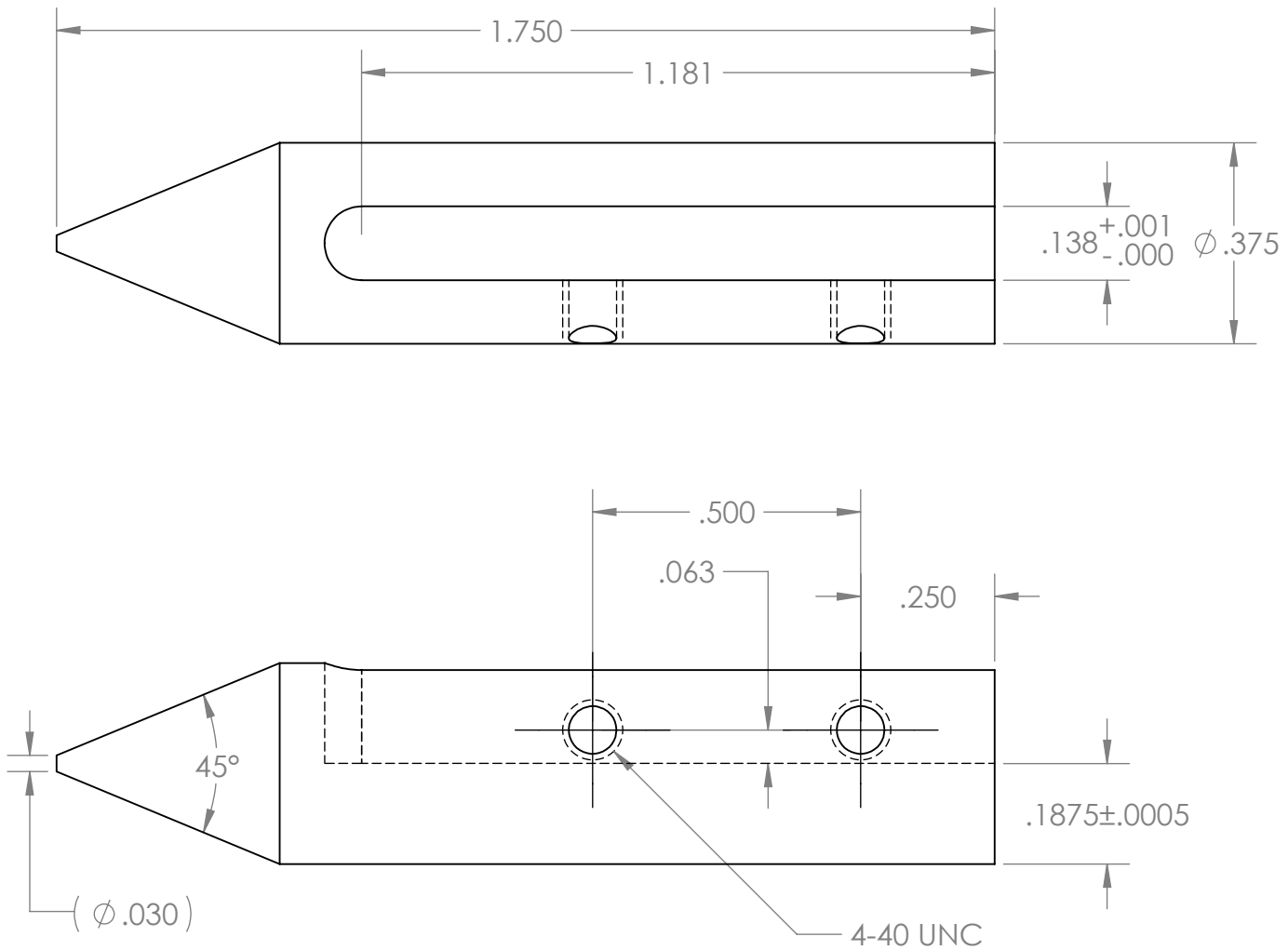
C

B

B

A

A



- NOTES:
 1. SET INCLUDES 2 PCS
 2. INSTALL WITH 4-40 X 0.125
 LONG SHSS - DOG POINT IDEAL

UNLESS OTHERWISE SPECIFIED:
 DIMENSIONS ARE IN INCHES
 TOLERANCES:
 FRACTIONAL $\pm 1/16$
 ANGULAR: MACH ± 0.5 BEND ± 1
 TWO PLACE DECIMAL ± 0.01 "
 THREE PLACE DECIMAL ± 0.005 "

MATERIAL: STAINLESS
 FINISH: AS MACHINED

TITLE:
**CALIPER CENTER
 DISTANCE
 ATTACHMENT**

SIZE: **A** DWG. NO.: **001**

SCALE: 3:1 WEIGHT: SHEET 1 OF 1

PROPRIETARY AND CONFIDENTIAL
 THE INFORMATION CONTAINED IN THIS
 DRAWING IS THE SOLE PROPERTY OF
 MAKEITFROMMETAL.COM. ANY NON-
 EDUCATIONAL
 REPRODUCTION IN PART OR AS A WHOLE
 WITHOUT THE WRITTEN PERMISSION OF
 MAKEITFROMMETAL.COM IS
 PROHIBITED.

4

3

2

1