

4

3

2

1

ITEM NO.	DESCRIPTION	QTY.
1	BASE	1
2	DIAL INDICATOR	1
3	THUMBSCREW	1

D

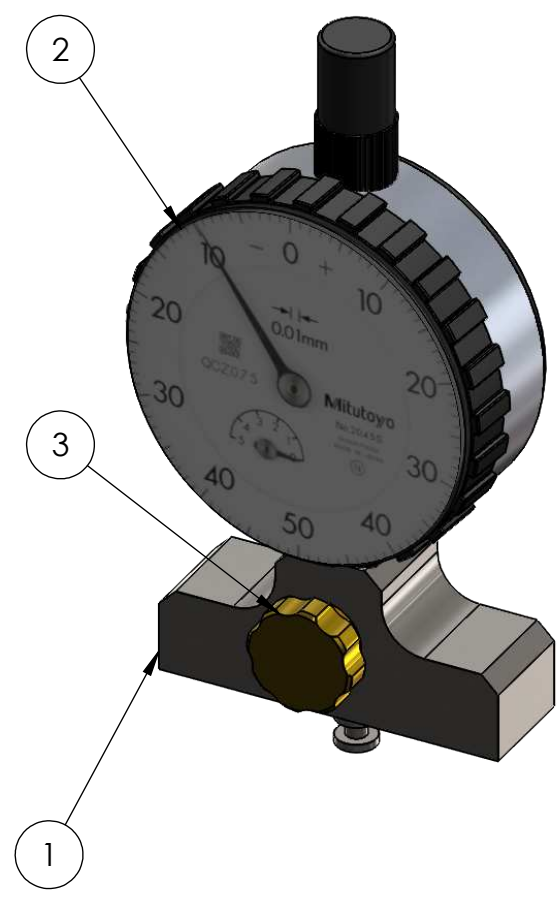
D

C

C

B

B



A

A

PROPRIETARY AND CONFIDENTIAL
 THE INFORMATION CONTAINED IN THIS
 DRAWING IS THE SOLE PROPERTY OF
 MAKEITFROMMETAL.COM. ANY NON-
 EDUCATIONAL
 REPRODUCTION IN PART OR AS A WHOLE
 WITHOUT THE WRITTEN PERMISSION OF
 MAKEITFROMMETAL.COM IS
 PROHIBITED.

UNLESS OTHERWISE SPECIFIED:
 DIMENSIONS ARE IN INCHES
 TOLERANCES:
 FRACTIONAL $\pm 1/16$
 ANGULAR: MACH ± 0.5 BEND ± 1
 TWO PLACE DECIMAL ± 0.01 "
 THREE PLACE DECIMAL ± 0.005 "

MATERIAL

 FINISH

TITLE:
**DIAL INDICATOR DEPTH
 ATTACHMENT**

SIZE DWG. NO.
A 001

SCALE: 1:1 WEIGHT: SHEET 1 OF 3

4

3

2

1

4

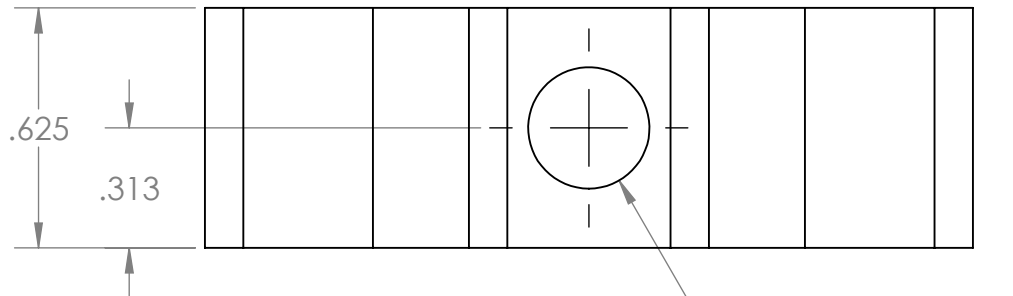
3

2

1

D

D



Ø .316 THRU ALL

C

C

1/4-20 UNC2B ∇ .250

.625

R.250 TYP

.100 X 45° TYP

B

B

.938

.500

2.000

A

A

UNLESS OTHERWISE SPECIFIED:

DIMENSIONS ARE IN INCHES
 TOLERANCES:
 FRACTIONAL $\pm 1/16$
 ANGULAR: MACH ± 0.5 BEND ± 1
 TWO PLACE DECIMAL ± 0.01 "
 THREE PLACE DECIMAL ± 0.005 "

MATERIAL	MILD STEEL
FINISH	AS MACHINED

TITLE:
**DIAL INDICATOR DEPTH
 ATTACHMENT BASE**

SIZE	DWG. NO.		
A	002		
SCALE: 2:1	WEIGHT:	SHEET 2 OF 3	

PROPRIETARY AND CONFIDENTIAL
 THE INFORMATION CONTAINED IN THIS
 DRAWING IS THE SOLE PROPERTY OF
 MAKEITFROMMETAL.COM. ANY NON-
 EDUCATIONAL
 REPRODUCTION IN PART OR AS A WHOLE
 WITHOUT THE WRITTEN PERMISSION OF
 MAKEITFROMMETAL.COM IS
 PROHIBITED.

4

3

2

1

4

3

2

1

D

D

C

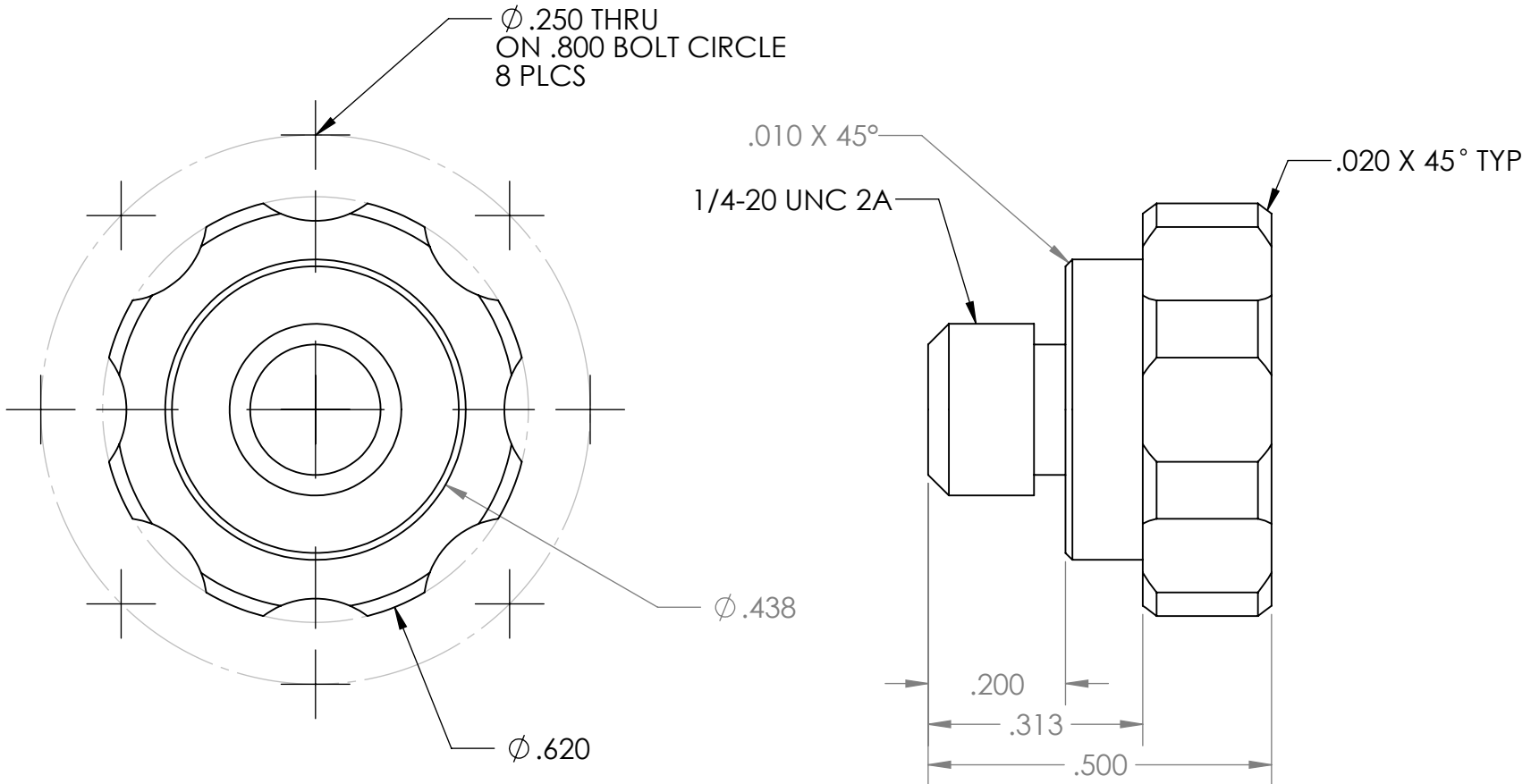
C

B

B

A

A



PROPRIETARY AND CONFIDENTIAL
 THE INFORMATION CONTAINED IN THIS
 DRAWING IS THE SOLE PROPERTY OF
 MAKEITFROMMETAL.COM. ANY NON-
 EDUCATIONAL
 REPRODUCTION IN PART OR AS A WHOLE
 WITHOUT THE WRITTEN PERMISSION OF
 MAKEITFROMMETAL.COM IS
 PROHIBITED.

UNLESS OTHERWISE SPECIFIED:
 DIMENSIONS ARE IN INCHES
 TOLERANCES:
 FRACTIONAL $\pm 1/16$
 ANGULAR: MACH ± 0.5 BEND ± 1
 TWO PLACE DECIMAL ± 0.01 "
 THREE PLACE DECIMAL ± 0.005 "

MATERIAL	BRASS
FINISH	POLISHED

TITLE:
**DIAL INDICATOR DEPTH
 ATTACHMENT
 THUMBSCREW**

SIZE	DWG. NO.
A	003
SCALE: 4:1	WEIGHT:
SHEET 3 OF 3	

4

3

2

1