

4

3

2

1

ITEM NO.	DESCRIPTION	QTY.
1	ROD	1
2	STOP	1
3	HANDLE	1
4	1/2-13 X 1" LONG SET SCREW	1
5	1/2" E-CLIP	1

D

D

C

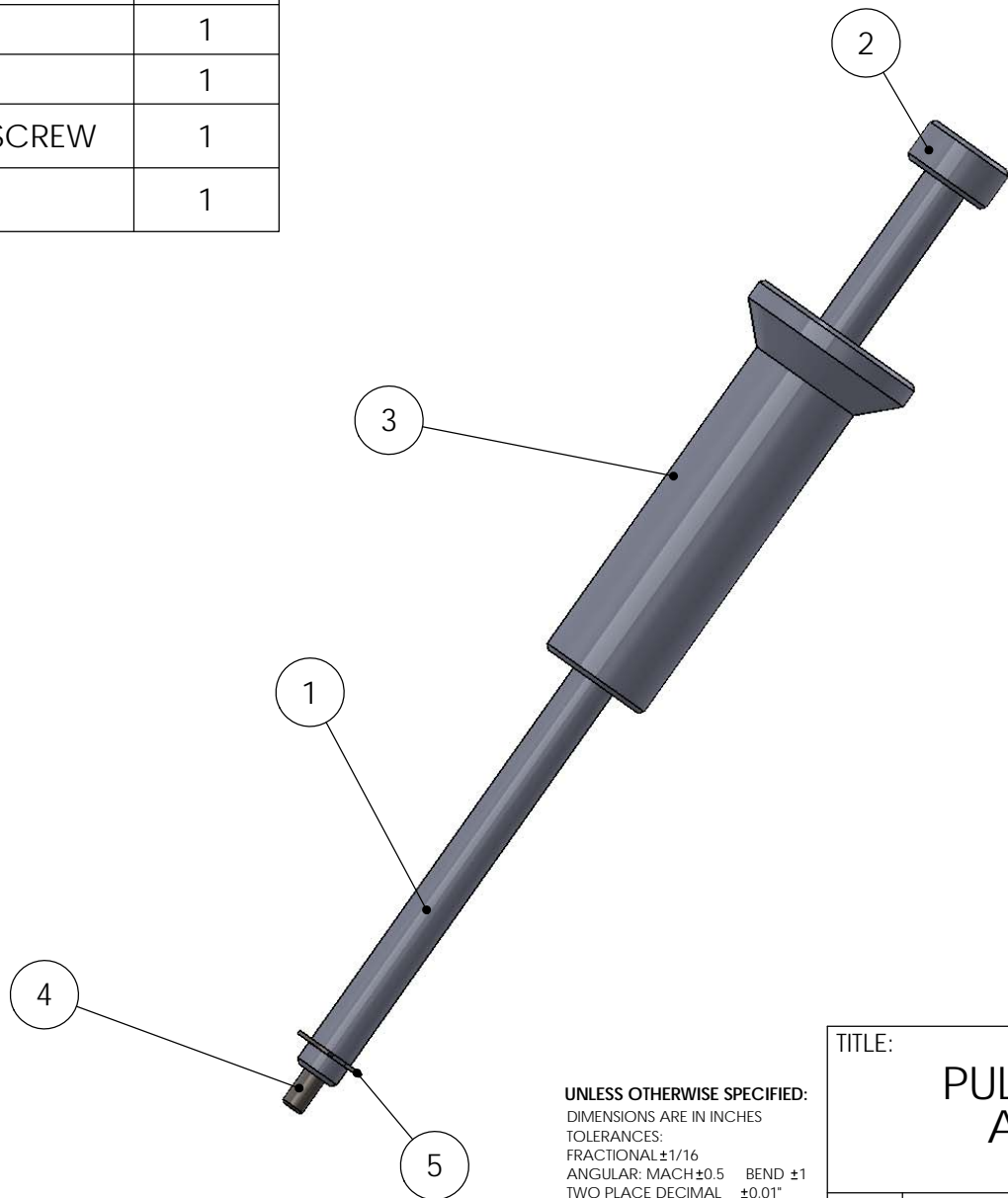
C

B

B

A

A



UNLESS OTHERWISE SPECIFIED:
 DIMENSIONS ARE IN INCHES
 TOLERANCES:
 FRACTIONAL ±1/16
 ANGULAR: MACH ±0.5 BEND ±1
 TWO PLACE DECIMAL ±0.01"
 THREE PLACE DECIMAL ±0.005"

MATERIAL
FINISH

TITLE: PULL HAMMER ASSEMBLY	
SIZE A	DWG. NO. 001
SCALE: 1:5	WEIGHT:
SHEET 1 OF 4	

PROPRIETARY AND CONFIDENTIAL
 THE INFORMATION CONTAINED IN THIS
 DRAWING IS THE SOLE PROPERTY OF
 MAKEITFROMMETAL.COM. ANY NON-
 EDUCATIONAL
 REPRODUCTION IN PART OR AS A WHOLE
 WITHOUT THE WRITTEN PERMISSION OF
 MAKEITFROMMETAL.COM IS
 PROHIBITED.

4

3

2

1

4

3

2

1

NOTE: BREAK ALL SHARP EDGES WITH 0.050" CHAMFER

D

D

C

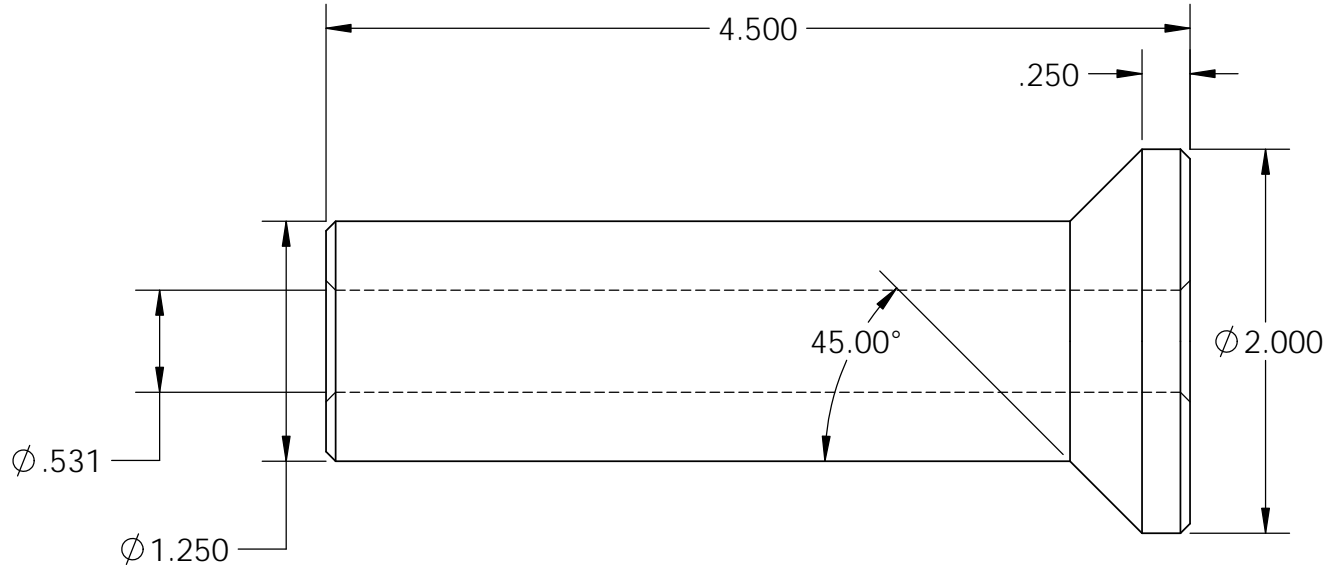
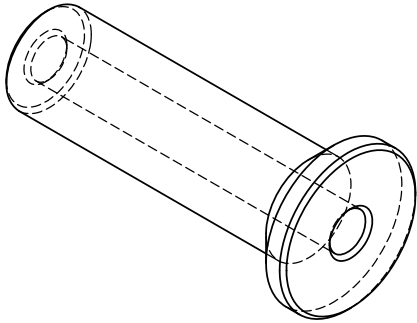
C

B

B

A

A



PROPRIETARY AND CONFIDENTIAL
THE INFORMATION CONTAINED IN THIS
DRAWING IS THE SOLE PROPERTY OF
MAKEITFROMMETAL.COM. ANY NON-
EDUCATIONAL
REPRODUCTION IN PART OR AS A WHOLE
WITHOUT THE WRITTEN PERMISSION OF
MAKEITFROMMETAL.COM IS
PROHIBITED.

UNLESS OTHERWISE SPECIFIED:
DIMENSIONS ARE IN INCHES
TOLERANCES:
FRACTIONAL ±1/16
ANGULAR: MACH ±0.5 BEND ±1
TWO PLACE DECIMAL ±0.01"
THREE PLACE DECIMAL ±0.005"

MATERIAL STAINLESS
FINISH AS MACHINED

TITLE:
PULL HAMMER HANDLE

SIZE DWG. NO.
A 002

SCALE: 1:2 WEIGHT: SHEET 2 OF 4

4

3

2

1

4

3

2

1

D

D

C

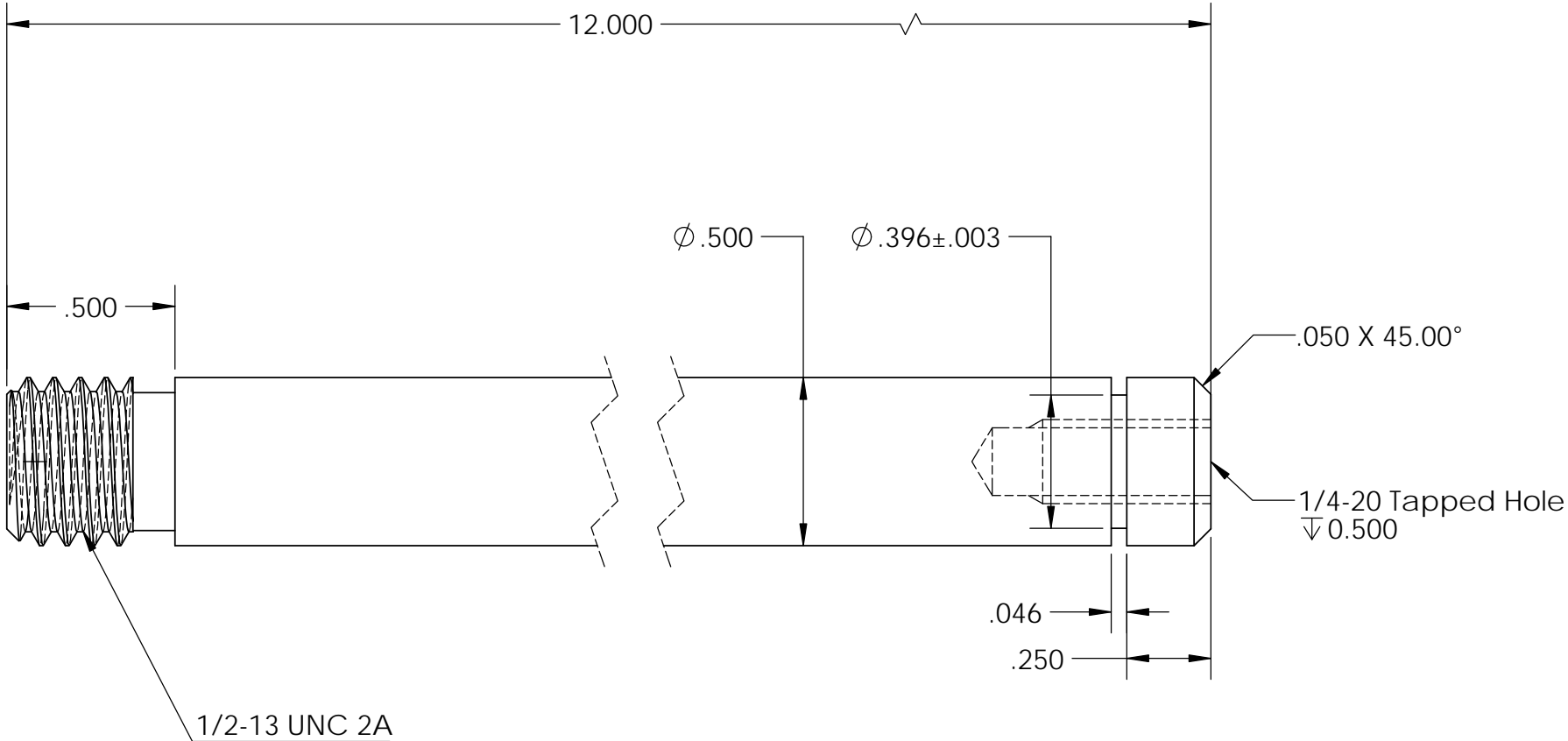
C

B

B

A

A



PROPRIETARY AND CONFIDENTIAL
 THE INFORMATION CONTAINED IN THIS
 DRAWING IS THE SOLE PROPERTY OF
 MAKEITFROMMETAL.COM. ANY NON-
 EDUCATIONAL
 REPRODUCTION IN PART OR AS A WHOLE
 WITHOUT THE WRITTEN PERMISSION OF
 MAKEITFROMMETAL.COM IS
 PROHIBITED.

UNLESS OTHERWISE SPECIFIED:
 DIMENSIONS ARE IN INCHES
 TOLERANCES:
 FRACTIONAL $\pm 1/16$
 ANGULAR: MACH ± 0.5 BEND ± 1
 TWO PLACE DECIMAL ± 0.01
 THREE PLACE DECIMAL ± 0.005

MATERIAL	STAINLESS
FINISH	AS MACHINED

TITLE:
PULL HAMMER ROD

SIZE	DWG. NO.
A	003

SCALE: 1:2	WEIGHT:	SHEET 3 OF 4
------------	---------	--------------

4

3

2

1

4

3

2

1

D

D

C

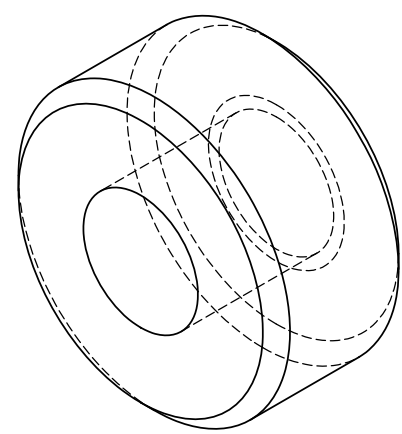
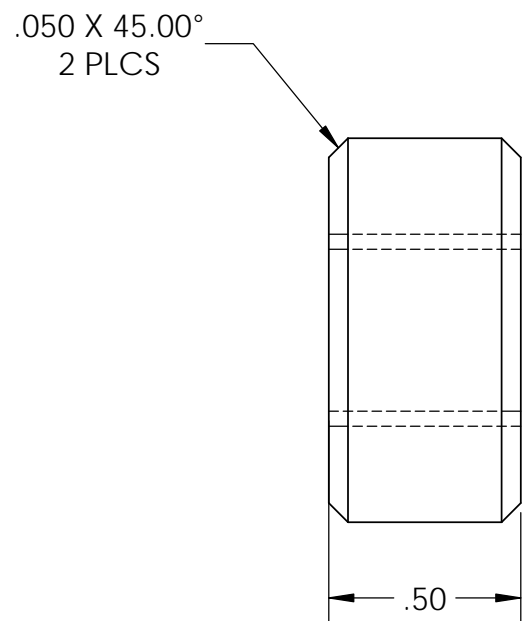
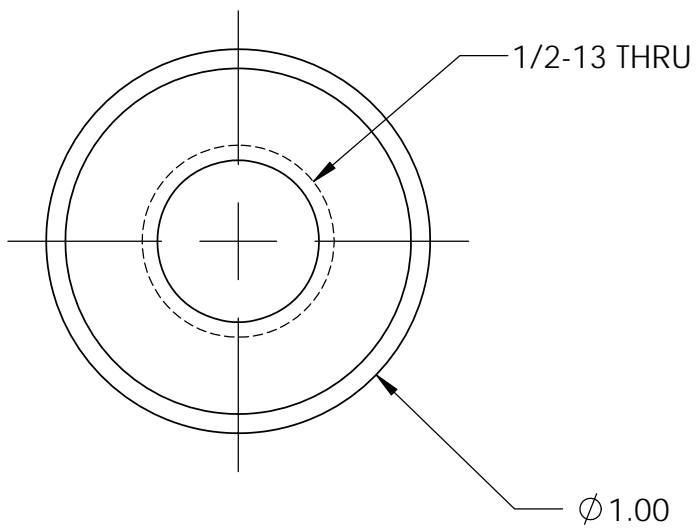
C

B

B

A

A



PROPRIETARY AND CONFIDENTIAL
 THE INFORMATION CONTAINED IN THIS
 DRAWING IS THE SOLE PROPERTY OF
 MAKEITFROMMETAL.COM. ANY NON-
 EDUCATIONAL
 REPRODUCTION IN PART OR AS A WHOLE
 WITHOUT THE WRITTEN PERMISSION OF
 MAKEITFROMMETAL.COM IS
 PROHIBITED.

UNLESS OTHERWISE SPECIFIED:
 DIMENSIONS ARE IN INCHES
 TOLERANCES:
 FRACTIONAL ±1/16
 ANGULAR: MACH ±0.5 BEND ±1
 TWO PLACE DECIMAL ±0.01"
 THREE PLACE DECIMAL ±0.005"

MATERIAL	STAINLESS
FINISH	AS MACHINED

TITLE: PULL HAMMER STOP	
SIZE A	DWG. NO. 004
SCALE: 2:1	WEIGHT:
SHEET 4 OF 4	

4

3

2

1