

4

3

2

1

ITEM NO.	DESCRIPTION	QTY.
1	PUNCH BASE	1
2	DIE	1
3	PUNCH	3
4	8MM X 3MM NEODYMIUM MAGNET (NOT SHOWN)	8
5	1/4-20 X 1 SHCS	9

D

D

C

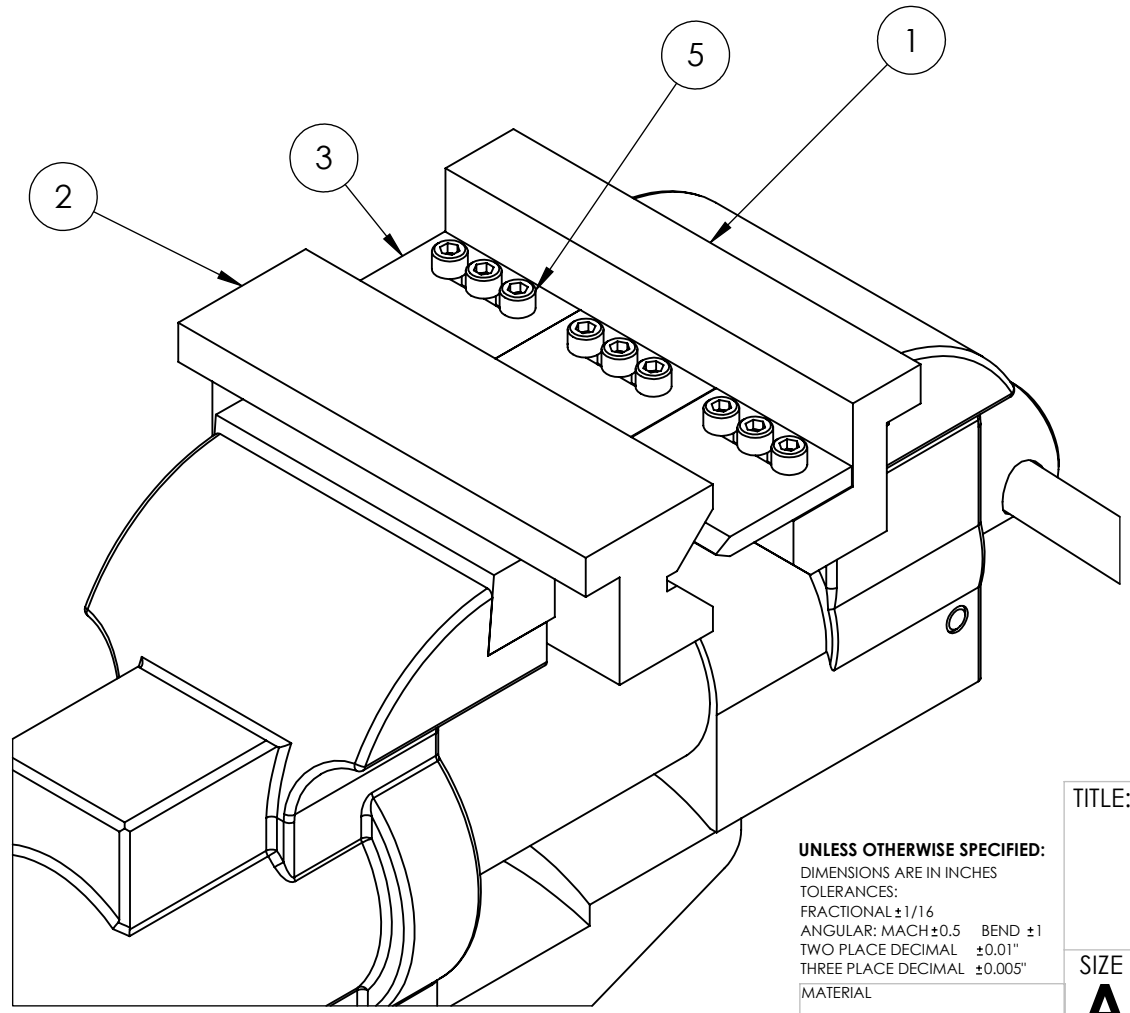
C

B

B

A

A



UNLESS OTHERWISE SPECIFIED:
 DIMENSIONS ARE IN INCHES
 TOLERANCES:
 FRACTIONAL ±1/16
 ANGULAR: MACH ±0.5 BEND ±1
 TWO PLACE DECIMAL ±0.01"
 THREE PLACE DECIMAL ±0.005"

MATERIAL
 FINISH

TITLE:		VISE BRAKE	
SIZE	DWG. NO.	001	
SCALE: 1:2		WEIGHT:	SHEET 1 OF 4

PROPRIETARY AND CONFIDENTIAL
 THE INFORMATION CONTAINED IN THIS
 DRAWING IS THE SOLE PROPERTY OF
 MAKEITFROMMETAL.COM. ANY NON-
 EDUCATIONAL
 REPRODUCTION IN PART OR AS A WHOLE
 WITHOUT THE WRITTEN PERMISSION OF
 MAKEITFROMMETAL.COM IS
 PROHIBITED.

4

3

2

1

4

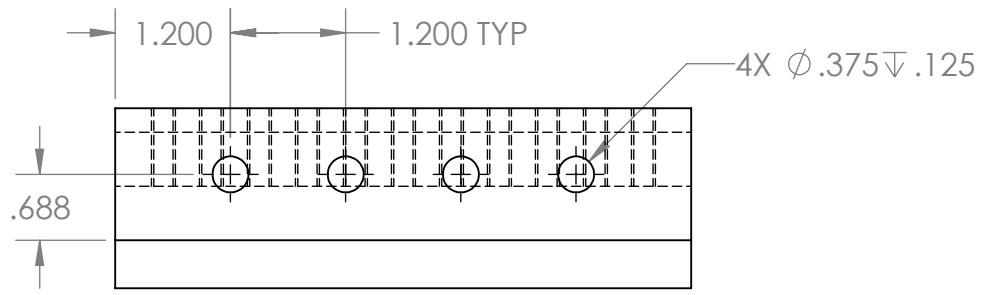
3

2

1

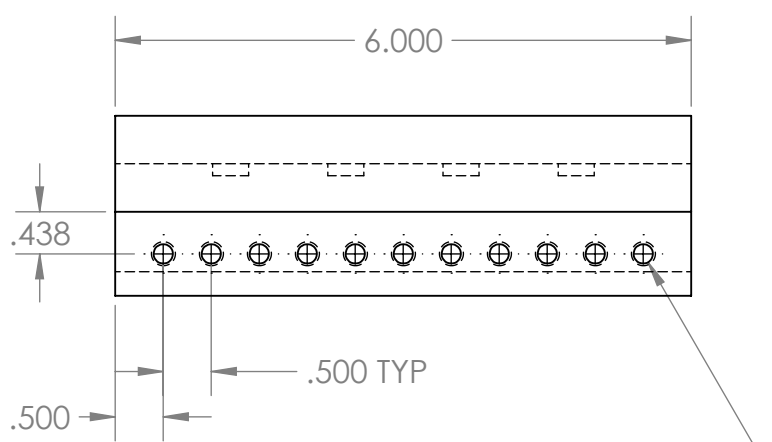
D

D



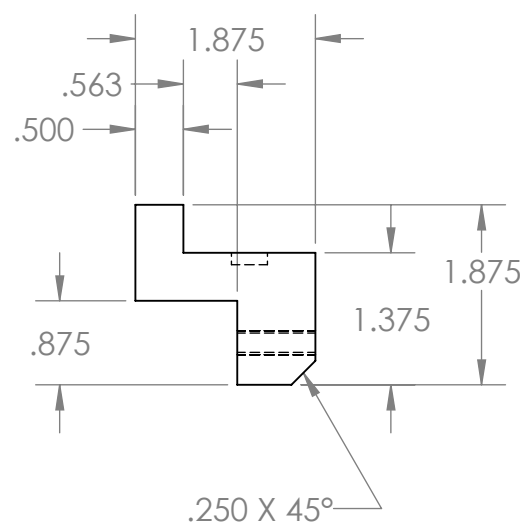
C

C



B

B



A

A

PROPRIETARY AND CONFIDENTIAL
 THE INFORMATION CONTAINED IN THIS
 DRAWING IS THE SOLE PROPERTY OF
 MAKEITFROMMETAL.COM. ANY NON-
 EDUCATIONAL
 REPRODUCTION IN PART OR AS A WHOLE
 WITHOUT THE WRITTEN PERMISSION OF
 MAKEITFROMMETAL.COM IS
 PROHIBITED.

UNLESS OTHERWISE SPECIFIED:
 DIMENSIONS ARE IN INCHES
 TOLERANCES:
 FRACTIONAL ±1/16
 ANGULAR: MACH ±0.5 BEND ±1
 TWO PLACE DECIMAL ±0.01"
 THREE PLACE DECIMAL ±0.005"

MATERIAL	STEEL
FINISH	AS MACHINED

TITLE: WISE BRAKE PUNCH HOLDER			
SIZE	DWG. NO.		
A	002		
SCALE: 1:2	WEIGHT:	SHEET 2 OF 4	

4

3

2

1

4

3

2

1

D

D

C

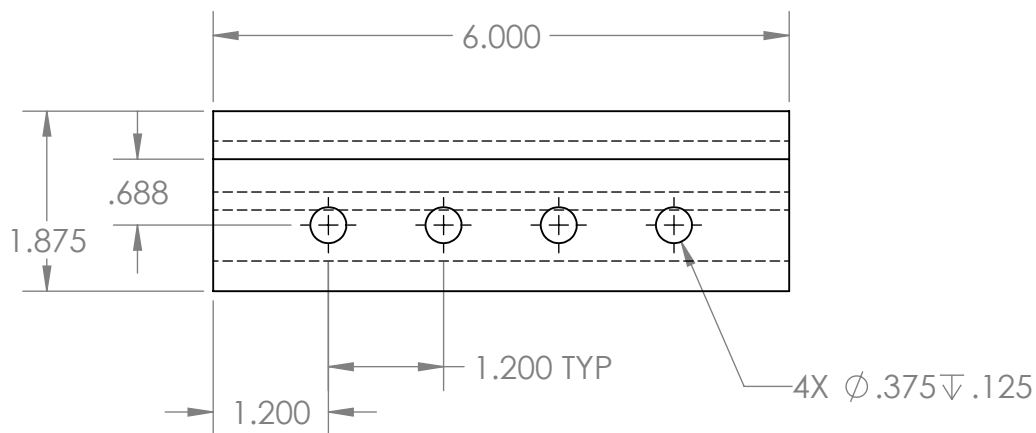
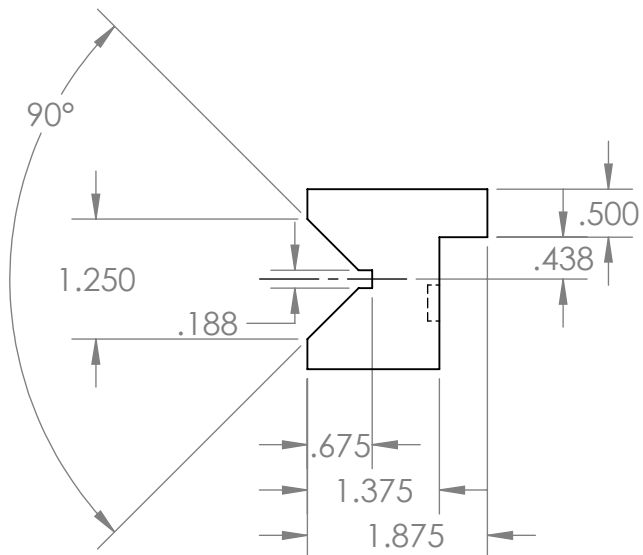
C

B

B

A

A



PROPRIETARY AND CONFIDENTIAL
 THE INFORMATION CONTAINED IN THIS
 DRAWING IS THE SOLE PROPERTY OF
 MAKEITFROMMETAL.COM. ANY NON-
 EDUCATIONAL
 REPRODUCTION IN PART OR AS A WHOLE
 WITHOUT THE WRITTEN PERMISSION OF
 MAKEITFROMMETAL.COM IS
 PROHIBITED.

UNLESS OTHERWISE SPECIFIED:
 DIMENSIONS ARE IN INCHES
 TOLERANCES:
 FRACTIONAL $\pm 1/16$
 ANGULAR: MACH ± 0.5 BEND ± 1
 TWO PLACE DECIMAL ± 0.01 "
 THREE PLACE DECIMAL ± 0.005 "

MATERIAL	STEEL
FINISH	AS MACHINED

TITLE:		VICE BRAKE DIE	
SIZE	DWG. NO.	003	
A		SCALE: 1:2	WEIGHT:
		SHEET 3 OF 4	

4

3

2

1

4

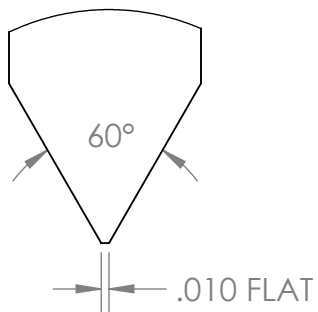
3

2

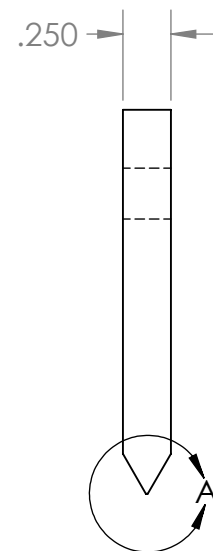
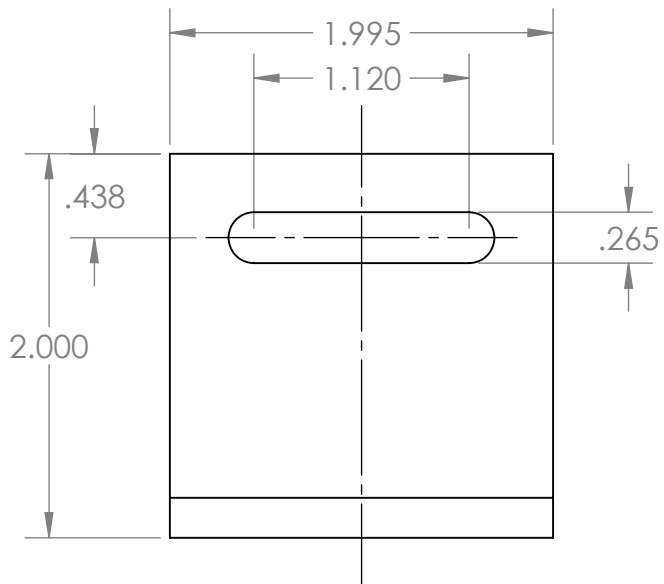
1

D

D



DETAIL A
SCALE 4 : 1



NOTE: BEVEL CENTERED OVER
THICKNESS TO +/- 0.005"

PROPRIETARY AND CONFIDENTIAL
 THE INFORMATION CONTAINED IN THIS
 DRAWING IS THE SOLE PROPERTY OF
 MAKEITFROMMETAL.COM. ANY NON-
 EDUCATIONAL
 REPRODUCTION IN PART OR AS A WHOLE
 WITHOUT THE WRITTEN PERMISSION OF
 MAKEITFROMMETAL.COM IS
 PROHIBITED.

UNLESS OTHERWISE SPECIFIED:
 DIMENSIONS ARE IN INCHES
 TOLERANCES:
 FRACTIONAL ±1/16
 ANGULAR: MACH ±0.5 BEND ±1
 TWO PLACE DECIMAL ±0.01"
 THREE PLACE DECIMAL ±0.005"

MATERIAL
STEEL
 FINISH
AS MACHINED

TITLE: WISE BRAKE PUNCH			
SIZE A	DWG. NO. 004		
SCALE: 1:1	WEIGHT:	SHEET 4 OF 4	

4

3

2

1

A

A